

BONBON

DESIGN BY ANA KRAŠ



Ana Kraš' Bonbon Lamp is a hand-woven lantern that uses an original weaving technique to create a textured lampshade. Inspired by her drawings, Ana perceived the lines as threads that could fill the blank area around a lamp, resulting in one-of-a-kind pieces that were featured in numerous art shows and publications. In her lampshade collaboration with HAY, she uses the same idea of wrapping wool-nylon yarn around powder-coated steel frames to create individual lampshades that all vary slightly in their appearance and texture.

PRODUCT DETAILS

- / A family of hand-woven lamps that transcends art and design boundaries.
- / High quality 80% wool 20% nylon yarn mix of material with UV stability.
- / Utilising a standard retro fit LED bulb (E27) for both table and pendant lamps.
- / Suitable for both private and office environments.

HAY

MATERIAL

LAMP FRAME / Fabricated powder coated steel.

LAMP EXTERIOR / Yarn is 80% wool and 20% nylon mix.

CORD SET(S) / The Cord Sets are sold seperately.
Table cord set features an in-line rocker switch.

Please note that the pendant and table cord sets are in black only.

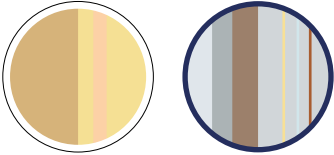
COLOUR

Available in 2 different colour palettes.

/ MEDIUM / Yellow Melange

/ LARGE / Earth Tones

COLOUR



MEDIUM
YELLOW MELANGE

LARGE
EARTH TONES

CONSTRUCTION

The lamp is hand woven in an original weaving technique around a spot welded, powder coated steel frame.

The entire production is based in Europe.

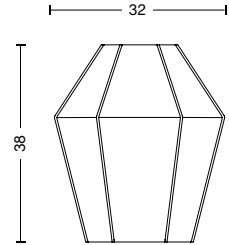
DIMENSIONS

MEDIUM BONBON

/ WIDTH 32 cm / 12.6"

/ LENGHT 32 cm / 12.6"

/ HEIGHT 38 cm / 15"

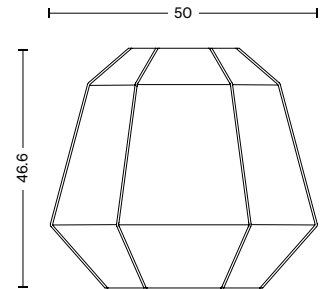


LARGE BONBON

/ WIDTH 50 cm / 19.7"

/ LENGHT 50 cm / 19.7"

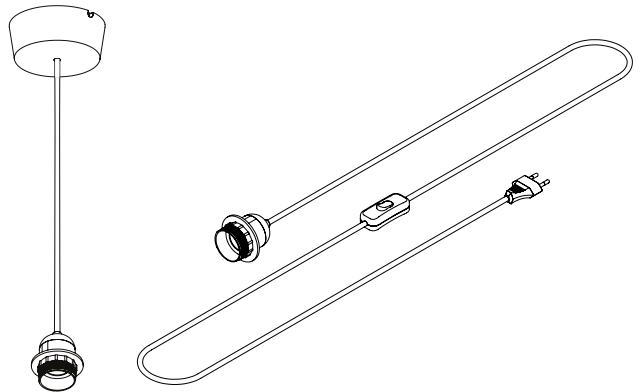
/ HEIGHT 46,6 cm / 18.3"



OPTIONS

/ E27 cord set for pendant (without bulb)

/ E27 cord set for table lamp (without bulb)



CERTIFICATION

/ CE approved: This product has been assessed and complies with the essential requirements of the relevant European directives.

CE IP20

DOWNLOADS

2D files, 3D files, pack shots are available in our image bank at hay.com.

Care- and maintenance instructions and test certificates are available at hay.com.

An overview of the complete Hay lighting collection including the PC family of lamps and accessories can be found at hay.dk/en/contract/products/lighting

HAY