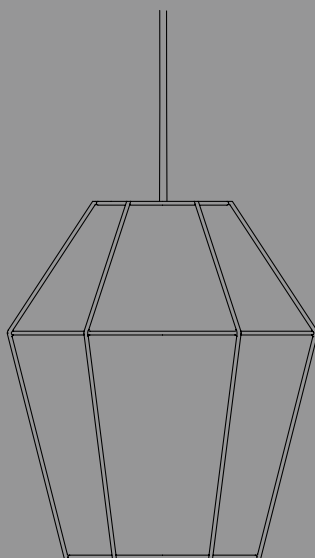


INSTRUCTION MANUAL

BONBON



By Ana Kraš

HAY

INTRODUCTION

Ana Kraš' Bonbon Lamp is a hand-woven lantern that uses an original weaving technique to create a textured lampshade. Inspired by her drawings, Ana perceived the lines as threads that could fill the blank area around a lamp, resulting in one-of-a-kind artistic installations for galleries.

NOTE

If you are using this shade in conjunction with the HAY Cord set, please follow the instructions that have been provided with it for safe installation.

ATTENTION

In some countries, electrical installation must be carried out by authorised electricians/contractors; please check with your local authority for guidance. The product must not be modified in any way. HAY accepts no responsibility for any products that have been modified or tampered with. If the

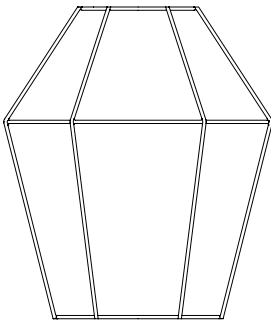
external flexible cable or cord of this luminaire is damaged, it should be exclusively replaced by the manufacturer or his service agent or a similar qualified person in order to avoid a hazard.

CARE AND MAINTENANCE

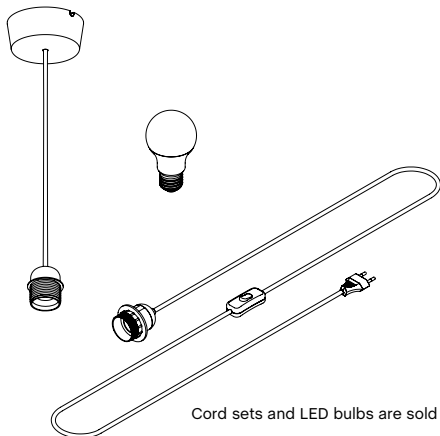
The BonBon Lamp is composed mainly of wool yarn. It is a handmade piece and cleaning is not advised unless

absolutely necessary. If cleaning is required, do not use alcohol or any other solvents or detergents, only a dry brush.

PARTS



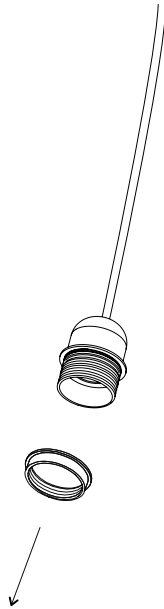
Shade shape and size may differ from the picture above.



Cord sets and LED bulbs are sold separately from shades.

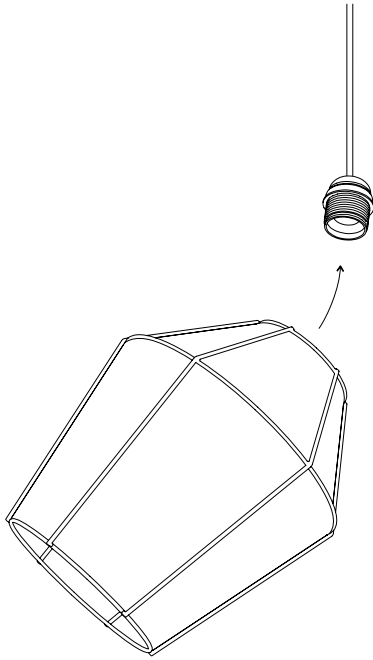
1.

Unscrew and remove the lower shade ring from the E27 bulb holder of whichever cord set you have selected to use with your shade.



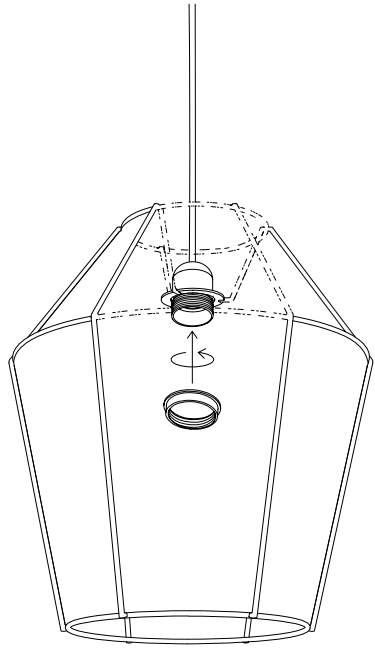
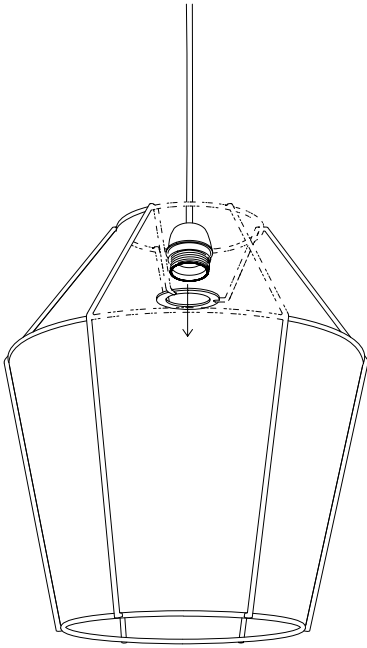
2.

Place the shade over the bulb holder with the bulb holder facing downwards.



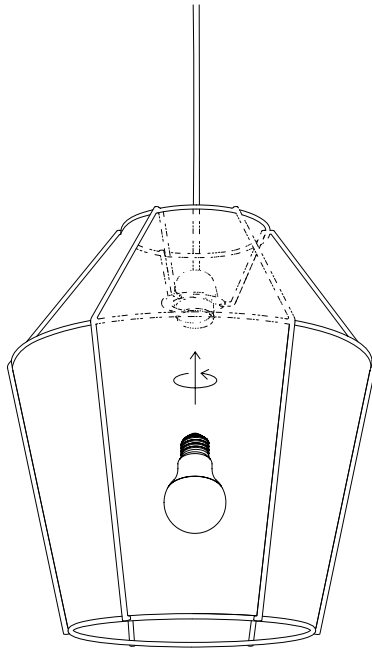
3.

Carefully lead the bulb holder through the hole at the top of the shade, and then screw the shade's lower ring back onto the bulb holder to secure the shade's frame to the bulb holder.



4.

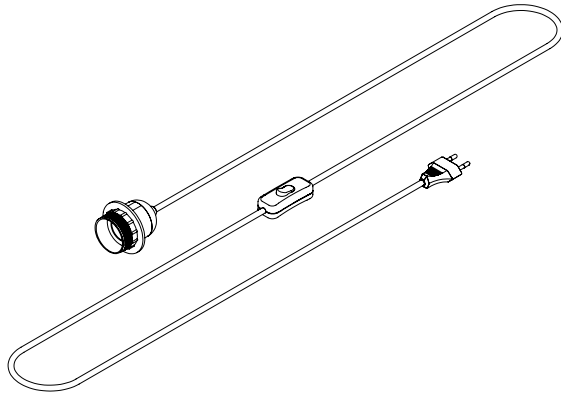
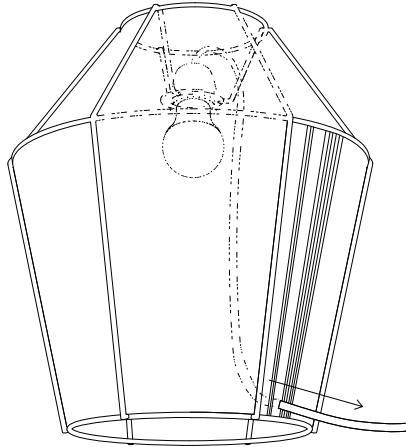
Screw an LED light bulb into the E27 bulb holder. Ensure the electricity is switched off before fitting the bulb to avoid damaging it.



5.

Table Lamp only

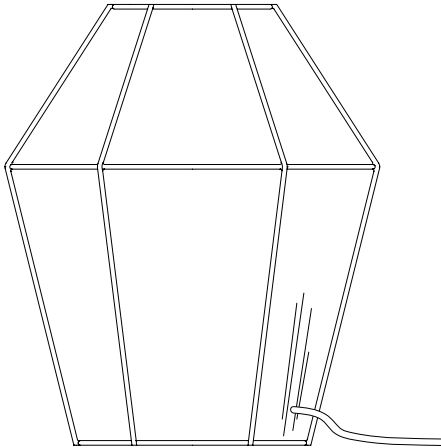
Carefully pull the table lamp cord set through the bottom of the weaving by gently separating the yarns.



All lamp cord sets are sold separately from the shade.

7.

The lamp can now be used as a table lamp.



Havnen 1 8700 Horsens Denmark

+45 4282 0282 / hay@hay.dk

HAY