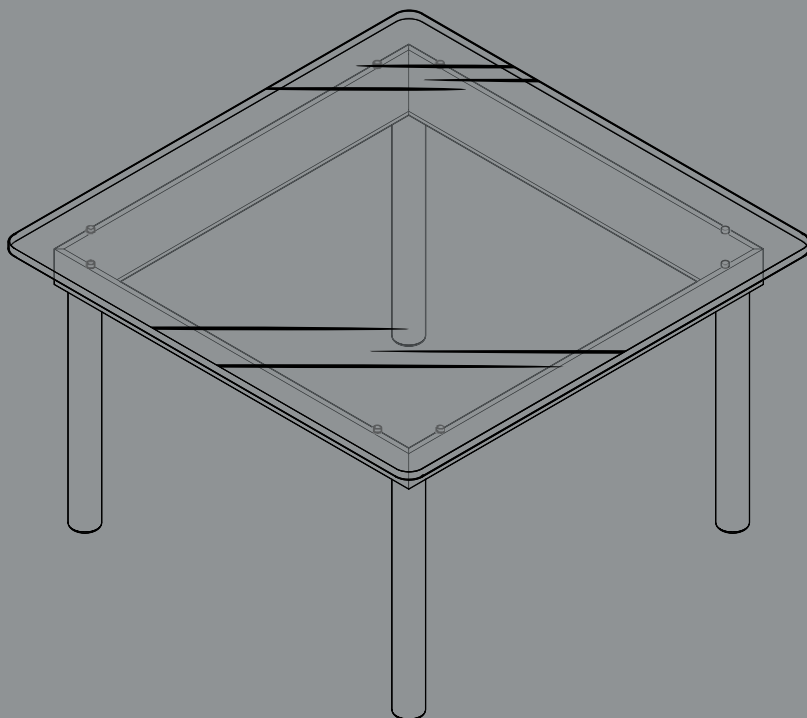


- INSTRUCTION MANUAL -

KOFI



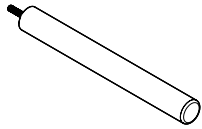
DESIGN BY MARTIN SOLEM

HAY

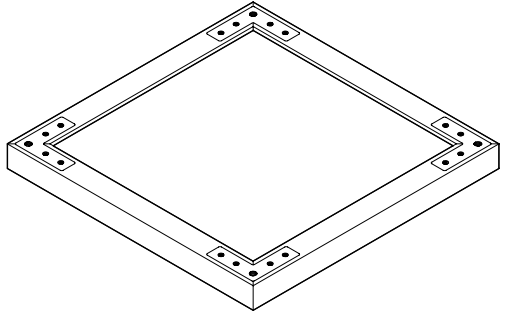
CAUTION & CARE

Please follow the recommendations below to provide optimal care for your furniture and avoid breaking the product or damaging any of the materials.

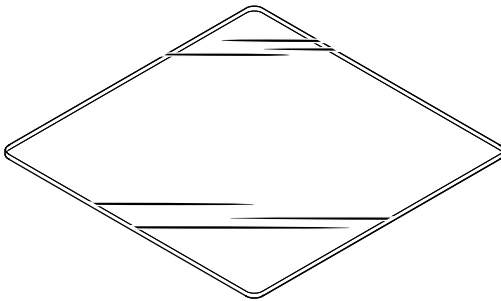
- Do not sit or stand on glass surface.
- Do not use the glass as a chopping board.
- Do not strike the glass with hard or pointed items.
- Be careful not to scratch or damage the surface with sharp objects.
- Do not place hot or very cold items directly on the glass surface.
- Always use coasters or table mats to protect the glass surface.
- When cleaning the glass surface, use a damp cloth with a suitable neutral cleaning detergent or a mild glass cleaner. Remove soap residue immediately using a clean, dry cloth.
- Do not use scouring cream or scouring pads, as they may scratch the glass surface.



A Leg x4



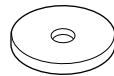
B Frame x1



D Glass top x1

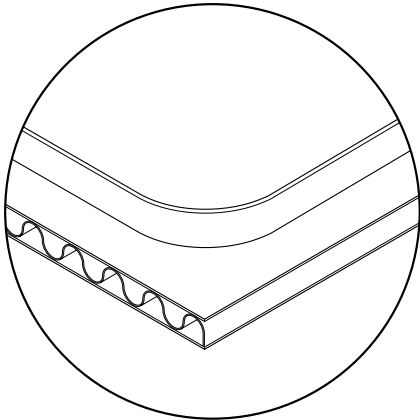
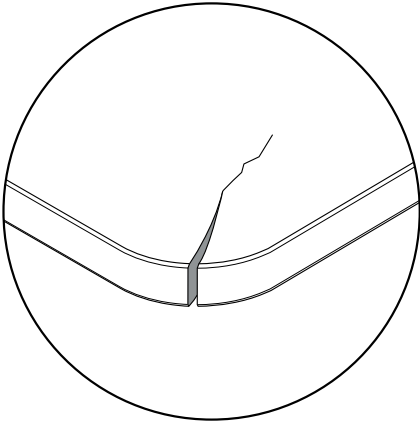


C Bumpers x8
(x6 for 140x50 table)



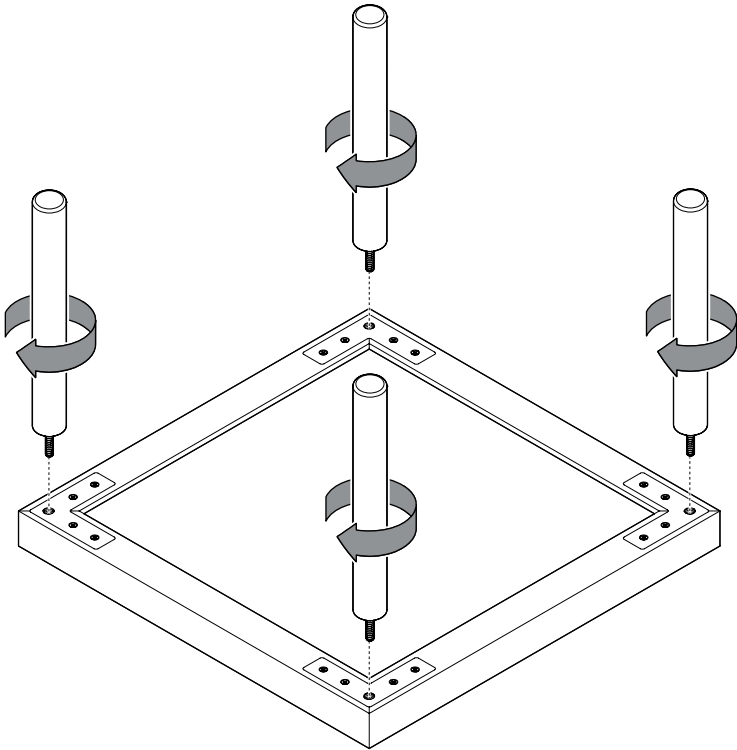
E Levelling washer x2

Protect the table top from scratches and other damage while assembling.



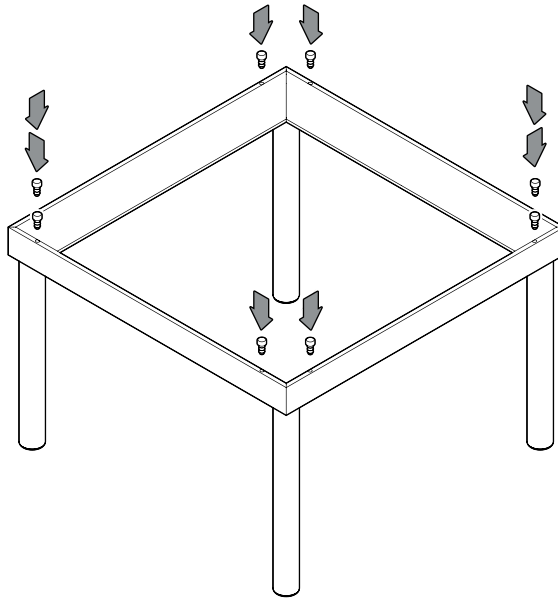
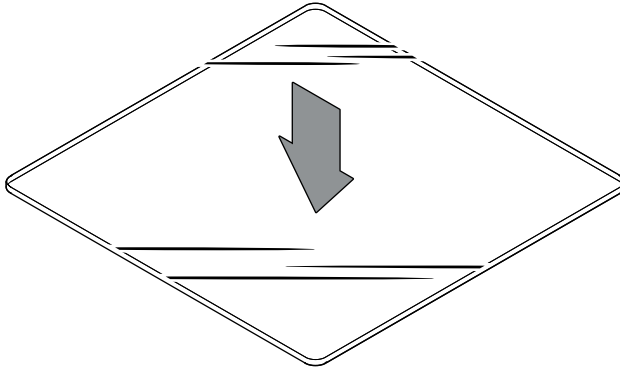
1.

Fasten the legs **A** by screwing them in place in each corner of the frame **B**.



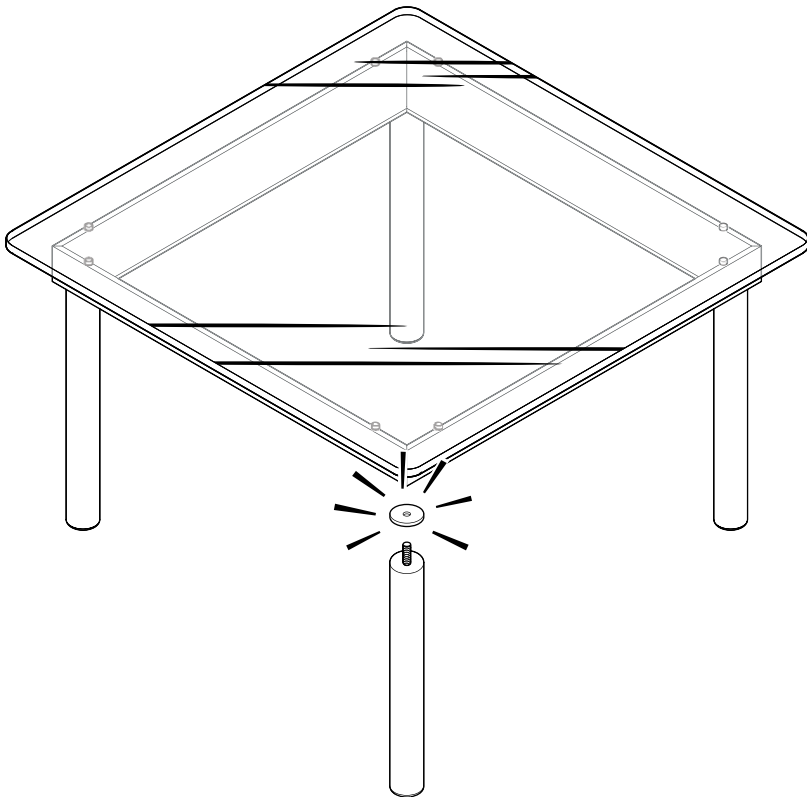
2.

Place the bumpers **C** in the holes. Then carefully place the glass top **D**.
(2 persons recommended)



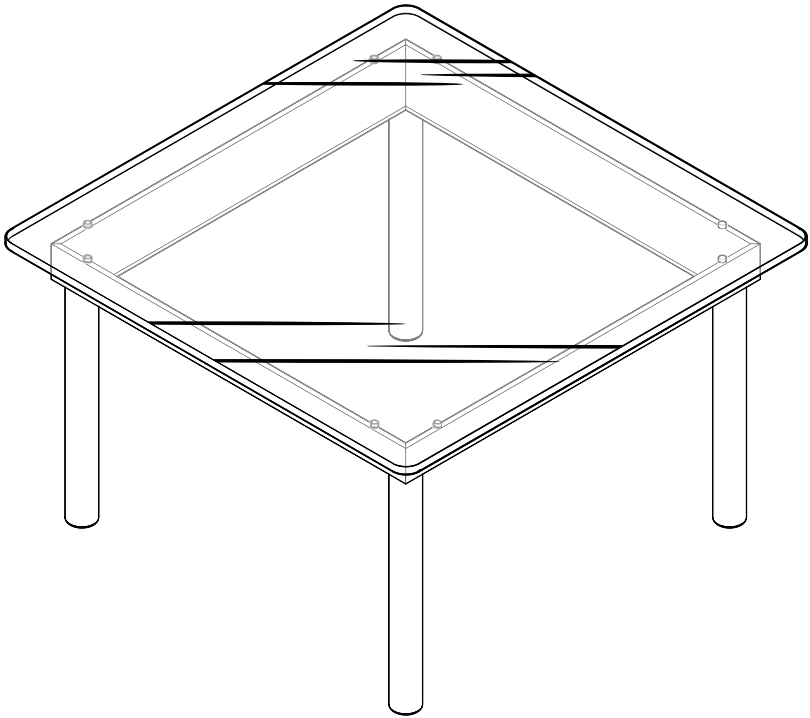
3.

If the floor is uneven and the table is wobbly, unscrew one of the legs and add one or two of the levelling washers **E**. When the table feels stable, screw the leg back into place.



4.

Done!



- CARE & MAINTENANCE -

Our Care & Maintenance offers guidance for optimal maintenance of your HAY product. It includes advice and instructions on cleaning and caring for specific materials to prolong the life of your furniture.



Please find our Care & Maintenance guide by scanning the QR code



You can find more relevant information on Kofi by scanning the QR code

You can also find the same information here
hay.dk/downloads

Havnen 1 8700 Horsens Denmark
+45 3164 6000 / hay@hay.com

10/01/2023

HAY